

FLEXIBLE POSITIONING OF END PLATES

For a variety of different surgical approaches

ROUGH SURFACE

Ti-iT® titanium coating

TUMOR TREATMENT

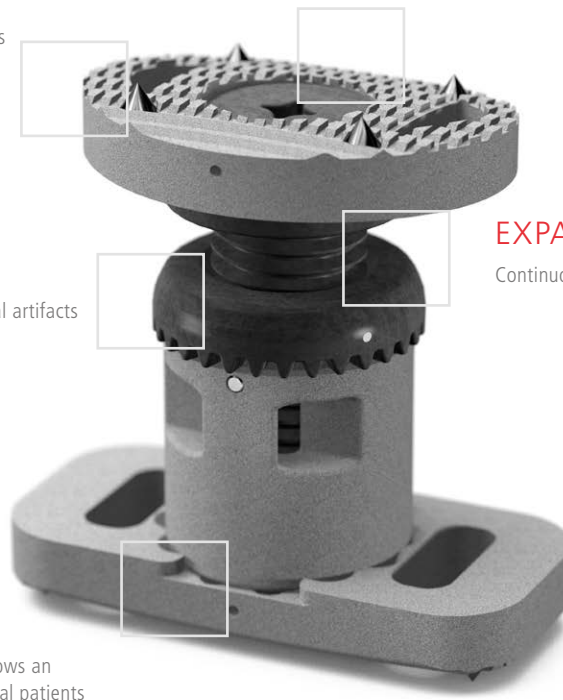
Nonmetallic BlackArmor® material produces minimal artifacts and eliminates shielding or scattering of radiation

EXPANDABLE IMPLANT

Continuous expansion

MODULAR IMPLANT

A variety of main bodies and end plates allows an adaption to the unique anatomy of individual patients



inspired by nature – built by icotec

KONG®-TL VBR SYSTEM

Factsheet

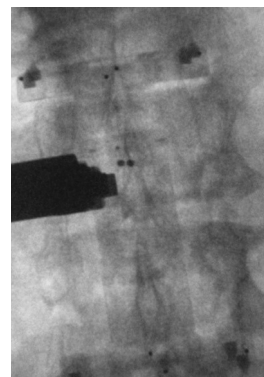


Carbon/PEEK implant material from icotec



X-ray, lateral view

BlackArmor® Carbon/PEEK KONG®-TL VBR E (incl. extension) with titanium pins, spikes, and locking screw as well as tantalum markers



X-ray, AP view

BlackArmor® Carbon/PEEK KONG®-TL VBR E with titanium pins, spikes, and tantalum markers, attached to the inserter

– ALL IMPLANTS ARE STERILE PACKED –

KONG®-TL VBR E Expandable Bodies

Description	Type/size	Diameter	Height	Reference number
Bodies, made of BlackArmor® Carbon/ PEEK, expandable, integrated End Plates	Standalone, XXS	19 mm	19–23 mm	12-91-1919-9
	Standalone, XS	19 mm	22–29 mm	12-91-1922-9

Description	Type/size	Diameter	Height	Reference number
Bodies, made of BlackArmor® Carbon/ PEEK, expandable	S	19 mm	20–24 mm	12-90-1920-9
	M	19 mm	23–30 mm	12-90-1923-9
	L	19 mm	27–37 mm	12-90-1927-9
	XL	19 mm	33–49 mm	12-90-1933-9

KONG®-TL VBR Extensions

Description	Type/size	Diameter	Height	Reference number
Extensions and Screws (one Screw per Extension), made of BlackArmor® Carbon/ PEEK	S	19 mm	20 mm	12-90-1920-0
	M	19 mm	35 mm	12-90-1935-0

KONG®-TL VBR End Plates

Description	Type/size	Angle	Length	Width	Reference number
End Plates, round, and Screws (one Screw per End Plate), made of BlackArmor® Carbon/PEEK	S	0°/4°/8°	26 mm	20 mm	12-90-0026/-0426/-0826
	M	0°/4°/8°	33 mm	25 mm	12-90-0033/-0433/-0833
	L	0°/4°/8°	43 mm	29 mm	12-90-0043/-0443/-0843
End Plates, rectangular, and Screws (one Screw per End Plate), made of BlackArmor® Carbon/ PEEK	M	0°/4°/8°	33 mm	20 mm	12-90-003320/-043320/-083320
	L	0°/4°/8°	43 mm	20 mm	12-90-004320/-044320/-084320
	XL	0°/4°/8°	52 mm	20 mm	12-90-005220/-045220/-085220

KONG®-TL VBR Screw

Description	Type/size	Length	Reference number
Screw, made of BlackArmor® Carbon/ PEEK	M8	6 mm	12-90-00806

Information needed to use the device and a glossary of symbols that may appear on the product labeling and the meaning of the symbols are made available in electronic form; current and previous versions can be downloaded in electronic form at ifu.icotec-medical.com (code = [REF](#)) or can be requested by email or phone from icotec. On request, icotec will provide a paper version within seven calendar days at no charge. The electronic versions can be viewed with a freely available PDF reader (e.g., Adobe Acrobat Reader, which can be downloaded at www.adobe.com).



ifu.icotec-medical.com